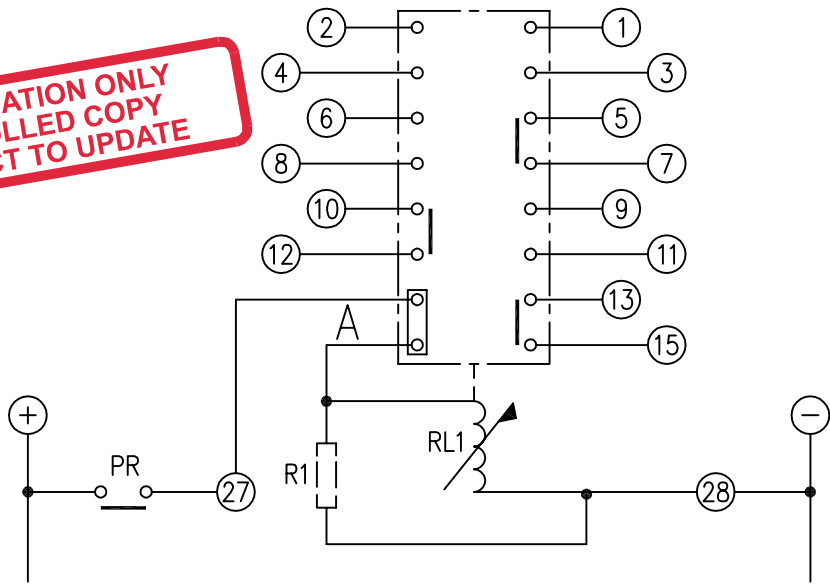


LOOKING ON FRONT OF RELAY

2112W50011

**FOR INFORMATION ONLY
UNCONTROLLED COPY
NOT SUBJECT TO UPDATE**



KEY	220&240		1x470R 2102C45471					
	oo	125	2x100R in series 2102C41101					
o-o	50	1x390R 2102C35391						
o-o-o	30	NIL						
	24	NIL						
	VDC	R1						
CONTACT CONFIG.	OUTPUT CONTACT PAIR / TERMINAL No.							
	1-3	2-4	5-7	6-8	9-11	10-12	13-15	
7M	M	M	M	M	M	M	M	
6M 1B	M	B	M	M	M	M	M	
5M 2B	B	B	M	M	M	M	M	
4M 3B	B	B	M	B	M	M	M	
3M 4B	B	B	M	B	B	M	M	

NOTE:
1. CONTACT CONFIGURATION ABOVE IS REQUIRED FOR RELAY OPERATION. FOR DETAILS OF VARIABLE CONTACT OPTIONS SEE TABLE OPPOSITE.
2. RESISTOR R1 IS FITTED ONLY WHEN REQUIRED.

FRAME REFERENCE: E2FAQM.
FRAME TERMINAL BLOCK ASSY: -
ASSEMBLY INSTRUCTIONS: -
TYPICAL ASSEMBLY DRAWING 2995G10032.
AT INDICATED POSITIONS FIT AS FOLLOWS:
T - FIT TRIP ISOLATION CONTACT 2995B10053
S - FIT STANDARD CONTACT 2995B10054
SECURE CONTACTS USING FIXING SCREW 2109F99009.
POSITIONS SHOWN BLANK ARE UNUSED

2	T	T	1
4	T	T	3
6	T	T	5
8	T	T	7
10	T	T	9
12	T	T	11
14		T	13
16		T	15
18			17
20			19
22			21
24			23
26			25
28	S	S	27

VIEW FROM NUMBERED SIDE OF BLOCK

OUTER TERMINAL BLOCK ASSY: -
ASSEMBLY INSTRUCTIONS: -
TYPICAL ASSEMBLY DRAWING 2995G10029.
AT INDICATED POSITIONS FIT AS FOLLOWS:
S - FIT STANDARD CONTACT 2995B10051
HC - FIT 'HEAVY CURRENT' KIT 2995G10030
WHERE o-o-o IS SHOWN FIT CT SHORTING KIT 2995G10031
POSITIONS SHOWN BLANK ARE UNUSED.
ALL POSITIONS FIT SCREW 2106F12506.

2	S	S	1
4	S	S	3
6	S	S	5
8	S	S	7
10	S	S	9
12	S	S	11
14		S	13
16		S	15
18			17
20			19
22			21
24			23
26			25
28	S	S	27

VIEW FROM INSIDE FACE

2 RDW	11/11/05	MN112/2744	Title. T.B. AND WIRING DIAG. FOR TR221-7 RELAYS IN EPSILON E2 CASE.	First used on:
				Similar Articles:
1	07/04/99		Reyrolle Protection Hebburn.	Supersedes:
ISSUE	DATE	MOD.No.		Original Scale.
DRAWN: A.LAW.	CHECKED:	APPROVED: R.D.WATSON	DATE: 16/07/02	Copyright © 1998 Reyrolle Ltd.